



Bobcat[®]

E42 Compact Excavator



One Tough Animal[™]

Specifications E42 Compact Excavator

General

| | E42 |
|-----------------------|------------------------|
| Tail Swing Type | Conventional |
| Tail Swing Overhang | 16.9 in. (430 mm) |
| Operating Weight | 9246 lb. (4194 kg) |
| Dig Depth | 10 ft. 6 in. (3.2 m) |
| Reach @ Ground Level | 17 ft. 3 in. (5246 mm) |
| Dump Height Clearance | 12 ft. 3 in. (3725 mm) |
| Machine Width | 68.9 in. (1750 mm) |
| Canopy/Cab Height | 98.7 in. 2506 mm) |
| Ground Pressure | 4.3 psi (29.8 kPa) |

Performance

| | |
|-------------------------------------------------------------------|----------------------|
| Arm Breakout Force | 5778 lbf. (25700 N) |
| Bucket Breakout Force | 9105 lbf. (45000 N) |
| Rated Lift Capacity (over blade, ground level, 10' (3m) reach) | 4603 lb. (2088 kg) |
| Travel Speed (Low range) | 1.8 mph (2.9 km/hr.) |
| Travel Speed (High range) | 2.8 mph (4.5 km/hr.) |

w/ LONG ARM OPTION:

| | |
|-----------------------|-------------------------|
| Tail Swing Overhang | 17.6 in. (447 mm) |
| Operating Weight | 9722 lb. (4410 kg) |
| Dig Depth | 11 ft. 6 in. (3.5 M) |
| Reach @ Ground Level | 18 ft. 2 in. (5535 mm) |
| Dump Height Clearance | 12 ft. 10 in. (3907 mm) |
| Arm Breakout Force | 5328 lbf. (23700 N) |

Engine

| | |
|-----------------------------|-------------------|
| Horsepower | 41.8 hp (31.2 kW) |
| Engine Type | Diesel |
| Fuel Tank Capacity | 19 gal (72 L) |
| Engine Shutdown Protection | Yes |
| Battery Run-down Protection | Yes |

Hydraulics

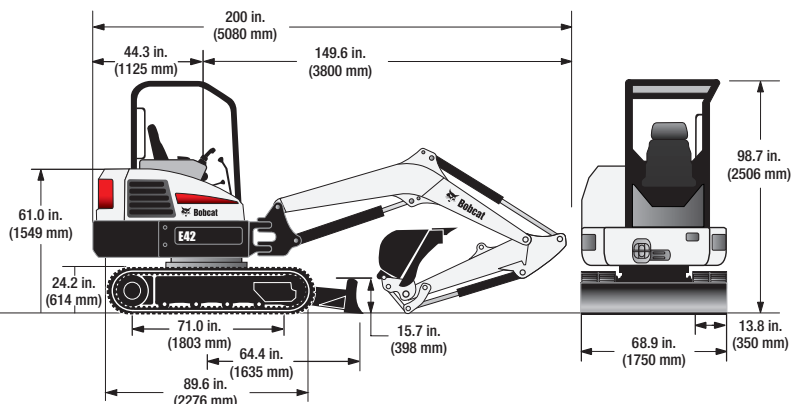
| | |
|-------------------|-----|
| Piston Pump | Yes |
| Load Sensing Pump | Yes |

Machine Features/Options

| | |
|------------------------------|-----|
| Auto Idle Throttle | Std |
| Cab with heat and A/C | Opt |
| Radio Ready Cab | Std |
| Cloth Seat | Opt |
| Keyless Start System | Opt |
| In-Cab Pattern Selector | Std |
| Fingertip Boom Swing Control | Std |
| Hydraulic Angle Blade | Opt |
| Steel Tracks | Opt |

Features for Attachments

| | |
|-----------------------------------------|------------------------|
| X-Change® (quick-tach system) | Std |
| Hydraulic X-Change® (quick-tach system) | Opt |
| Auxiliary Hydraulics | Std |
| Auxiliary Hydraulic Flow | 20.0 gpm (75.7 L/min.) |
| Auxiliary Hydraulic Pressure | 3045 psi (210 Bar) |
| Hydraulic Clamp Ready | Std |
| Fingertip Auxiliary Control | Std |
| Secondary Auxiliary Hydraulics | Opt |



The smooth, powerful way to heighten productivity.

With the high breakout forces and smooth, refined hydraulics of the new E42 M-Series excavator from Bobcat, you'll get a performance boost that takes your production higher. The load-sensing piston pump and closed center valve system in M-series machines deliver exceptional control of machine functions and a smooth end-of-stroke. When you pause operation for four seconds, the E42 auto idle kicks in, saving you fuel and improving jobsite communications.

Key features and benefits include:

- 5,778 lbf. arm breakout force
- 9,105 lbf. bucket breakout force
- 10 ft. 6 in. maximum digging depth
- 41.8 hp liquid-cooled diesel engine
- X-Change™ mounting system
- Auxiliary Hydraulics with Quick Couplers
- Roomy, comfortable operator area
- Auto Idle

NOTE - Where applicable, dimensions are in accordance with Society of Automotive Engineers (SAE) and ISO standards. Specifications and design are subject to change without notice. Pictures of Bobcat units may show other than standard equipment. All dimensions are given for loader equipped with standard tires. All dimensions are shown in inches. Respective metric dimensions are enclosed by parentheses. Bobcat Company complies with the requirements of ISO 9001 as registered with BSI.

Bobcat Attachments for this model:

- Auger
- Breaker
- Bucket, Trenching
- Bucket, Grading
- Grapple, Three Tined
- Hydraulic Clamp
- Hydra-Tilt
- Laser Receiver
- Packer Wheel
- Plate Compactor
- Power Tilt™
- Ripper tooth
- Trencher



Bobcat Company • P.O. Box 6000 • West Fargo, ND 58078